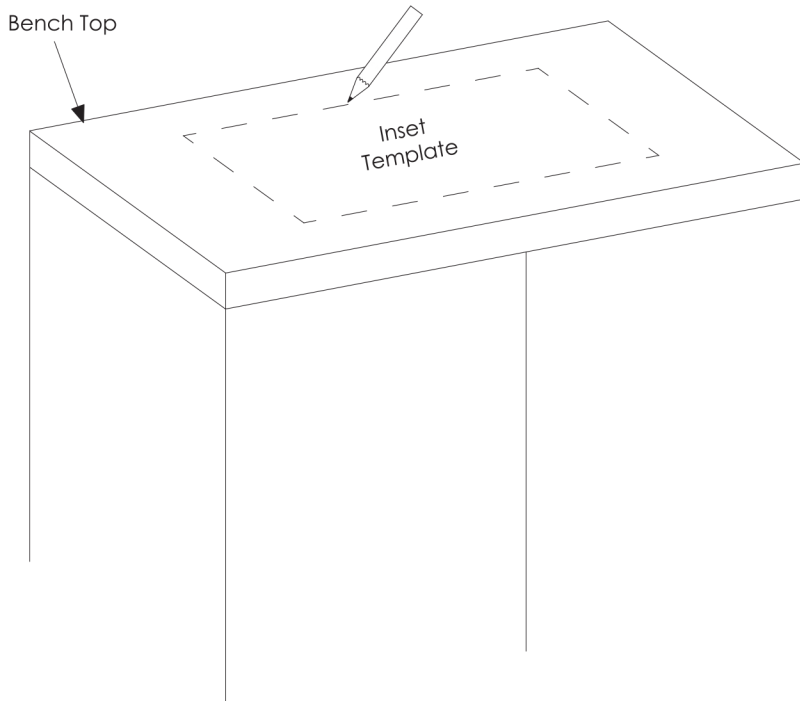


## Inset Installation

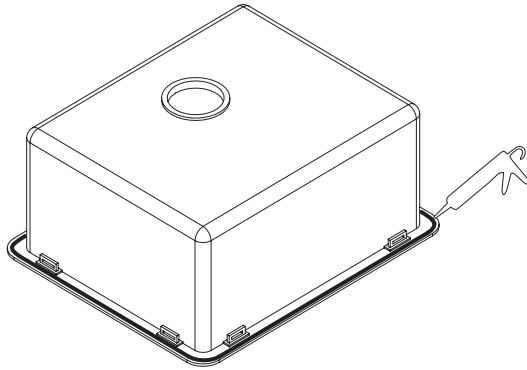
1. Place the inset template into the desired sink location. Trace around the border of the template.



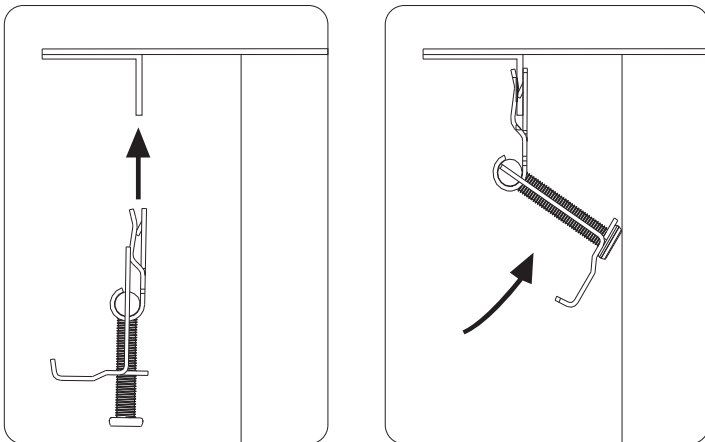
**NOTE:** Before cutting, double check the measurements of your traced line is accurate to your bowl dimensions.

2. Use the appropriate cutting tool suitable for your bench top material, cut along the line.

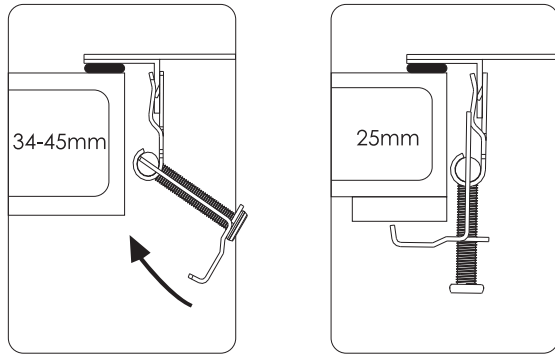
3. Apply a bead of wet area (acid-free) silicone sealant around the underside edge of the sink.



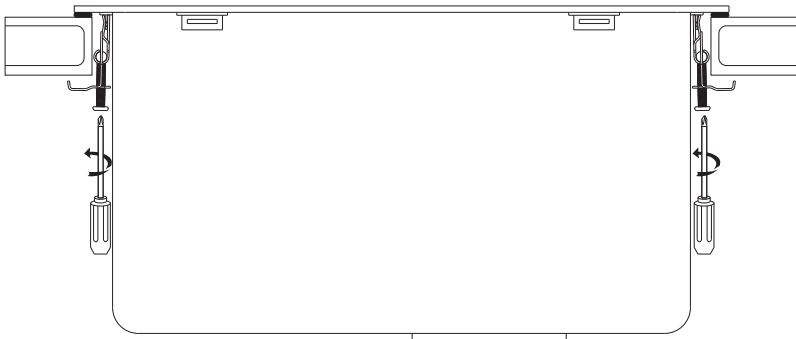
4. Push the anchor braces onto the sink. Fold the anchor braces towards the bowl to allow clearance for the sink to drop into the bench top cut out. Carefully place the sink into the cut out. Push down on all edges of the sink to ensure a good seal is achieved.



5. The anchor braces are suitable for bench tops 35-45mm thick. For thinner bench tops, use wooden wedges between the anchor braces and the bench top.

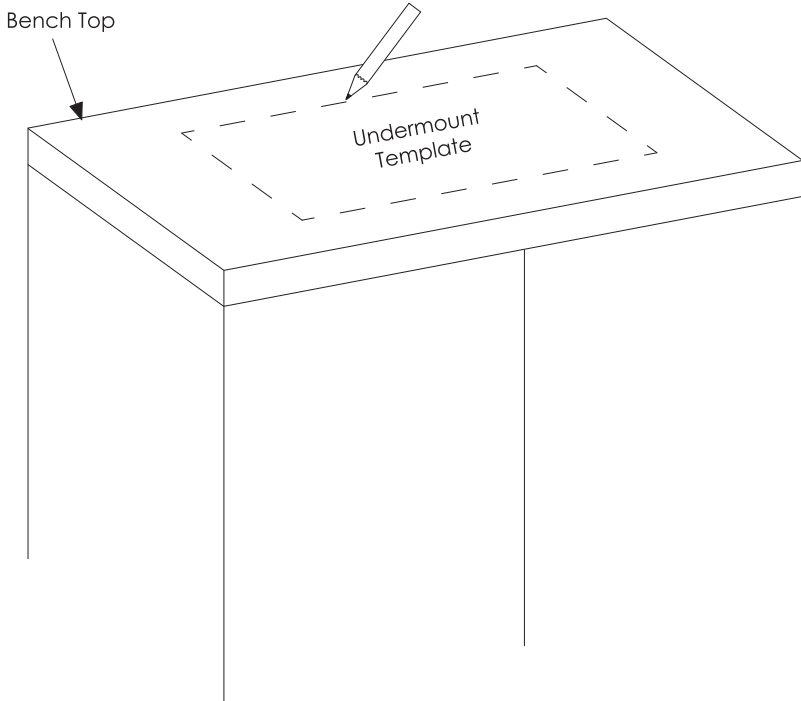


6. Using a screwdriver, tighten the anchor braces to secure the sink to the bench top. Do not over-tighten. Wipe away excess sealant.



# Undermount Installation

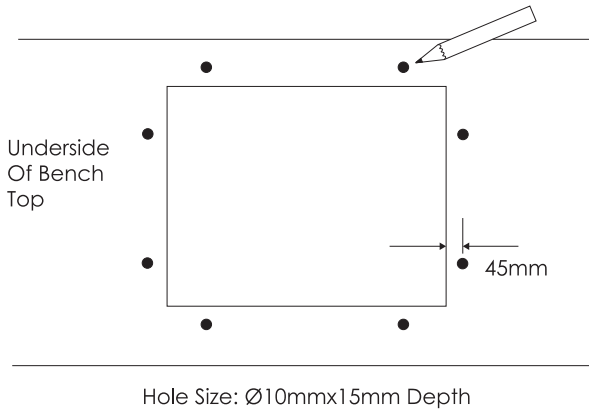
1. Place the undermount template into the desired sink location. Trace around the border of the template.



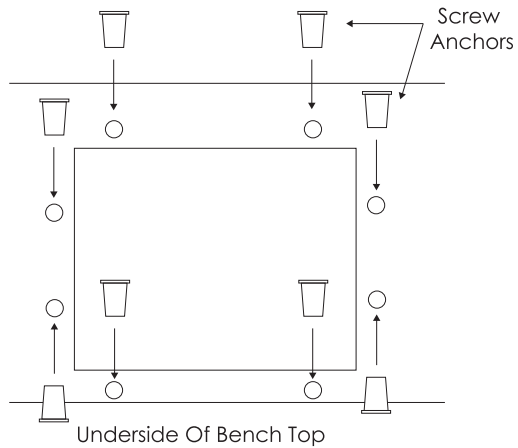
**NOTE:** Before cutting, double check the measurements of your traced line is accurate to your bowl dimensions.

2. Use the appropriate cutting tool suitable for your bench top material, cut along the line.

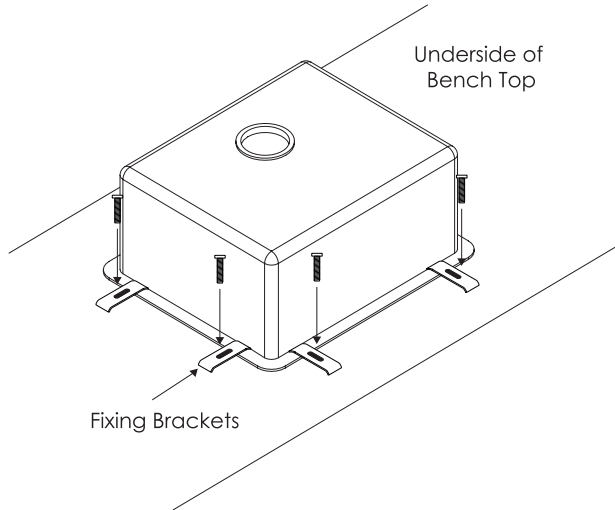
3. Drill into the underside of the bench top as shown in the diagram below.



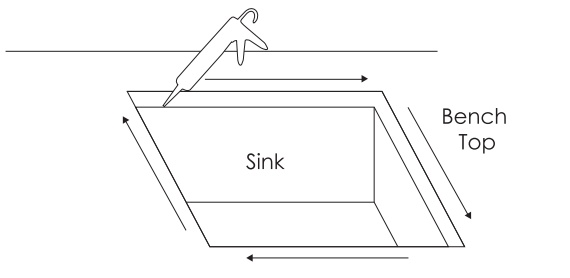
4. Insert each screw anchor into each drilled hole.



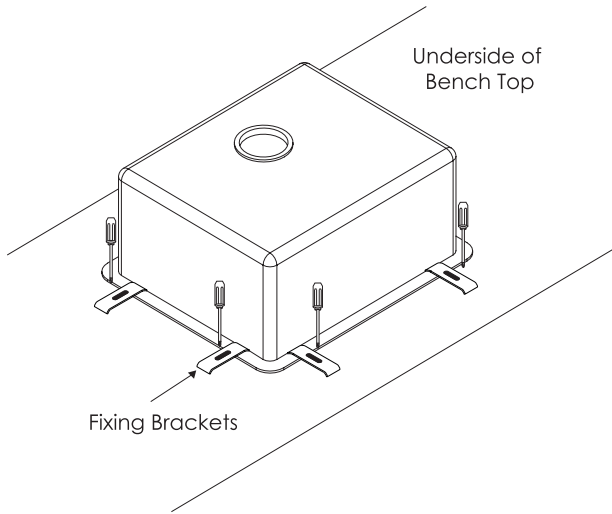
5. Place the fixing brackets over the screw anchors and loosely tighten into position using the screws provided. Align sink into desired location.



6. Apply wet area (acid-free) silicone sealant suitable for stainless steel and the bench top material.



- Using a screwdriver, tighten the fixing brackets to secure the sink to the bench top. Do not over-tighten. Wipe away excess sealant.



## Care & Maintenance

Regularly clean the sink with warm water then dry with a soft cloth after each use. Household detergents suitable for stainless steel may also be used.

Avoid harsh chemicals and abrasive cleaners. Do not use steel wool or other abrasive pads to clean your sink.

Do not use chemical sliver cleaners, bleaches, or detergents containing chlorine or any of its derivatives.

Acidic or corrosive materials and foods such as tea, coffee, juices, salt, vinegar, mustard etc. should be rinsed off immediately with plenty of water.

Do not place very hot objects directly onto the sink.

Appropriate potholders or boards should be used.

Avoid dropping heavy or sharp objects onto the sink surface. Be mindful when placing sharp utensils and other objects onto the sink.